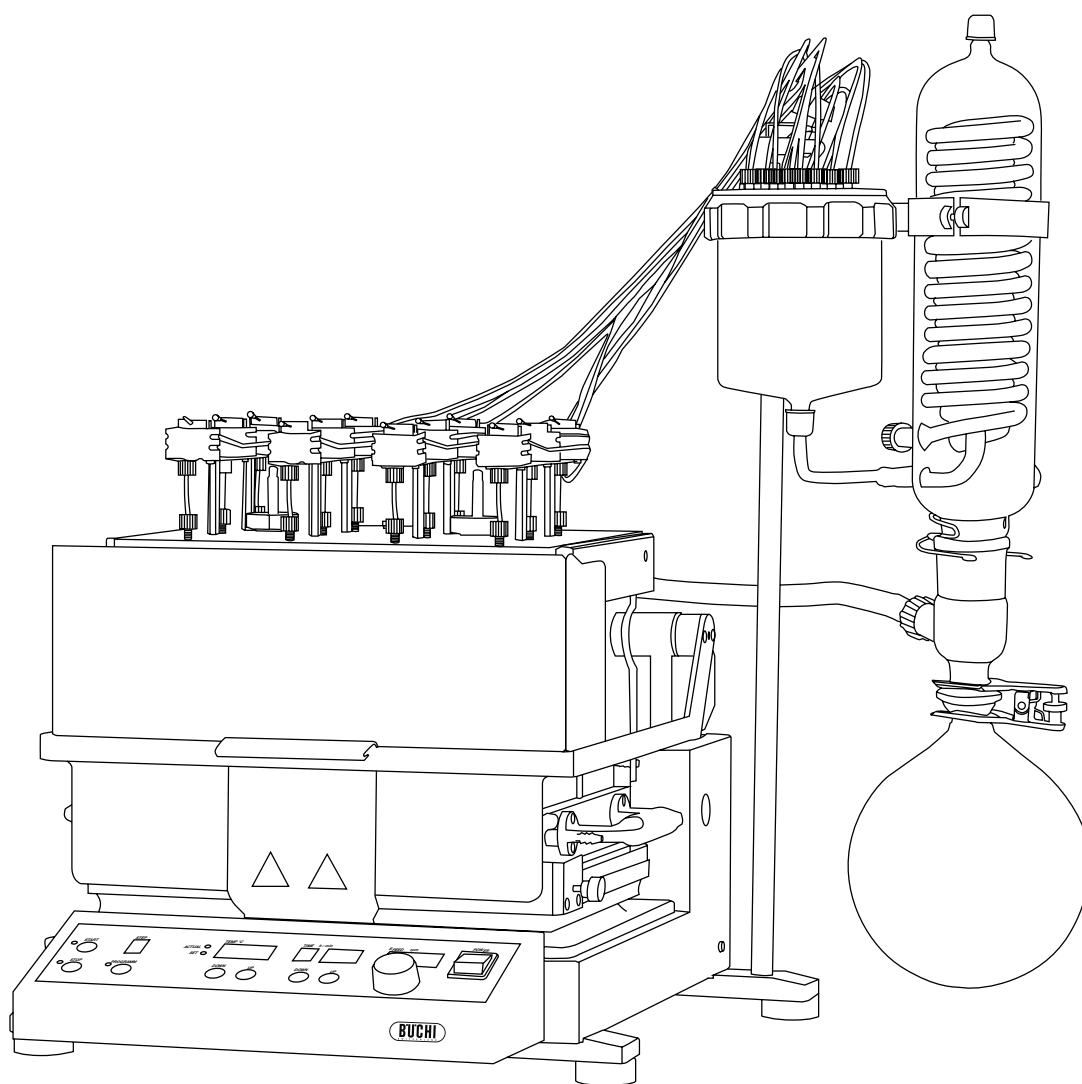




# Syncore® SPE

## Technical data sheet

The Syncore® SPE combines the evaporation and the conventional solid phase extraction (SPE), an essential step in many analytical procedures, in one device. With the help of the Syncore® SPE, all major work-up steps including evaporation of the solvents can be processed without any sample handling between the individual steps.



## Scope of delivery

The Syncore® SPE work-up accessories are available in two different configurations. With the SPE Basic set-up, the sample is transferred directly into the collecting vessel for subsequent evaporation. The flow of each position can be individually controlled. In contrast, the SPE Advanced setup allows separating the liquid passed through a SPE cartridge into either a waste vessel or a collecting vessel, respectively. The solvent is evaporated to dryness (Polyvap) or to a predefined residual volume (Analyst). The accessories are available as module to upgrade a standard Syncore vacuum cover, or as fully equipped cover.

### Syncore® SPE

Components	Basic R-12 module	Basic R-24 module	Basic R-12 cover	Basic R-24 cover
SPE basic module	1	1	1	1
Syncore cover	-	-	1	1
2 way valve (PEEK)	12	24	12	24
3 way valve (PTFE)	-	-	-	-
Collection and waste vessel	-	-	-	-
Connector for condenser	-	-	-	-
Operation manual	1	1	1	1

Components	Advanced R-6 module	Advanced R-12 module	Advanced R-24 module	Advanced R-6 cover	Advanced R-12 cover	Advanced R-24 cover
SPE advanced module	1	1	1	1	1	1
Syncore cover				1	1	1
2 way valve (PEEK)						
3 way valve (PTFE)	6	12	24	6	12	24
Collection and waste vessel	1	1	1	1	1	1
Connector for condenser	1	1	1	1	1	1
Operation manual	1	1	1	1	1	1

## Order code

Choose the configuration according to your needs:

0 5 1 4    

### SPE basic

- 40 SPE basic module 12
- 63 SPE basic module 24
- 38 SPE basic cover 12
- 39 SPE basic cover 24

1 1 0 6 3 4 9 1

SPE advanced module 24

1 1 0 6 2 9 3 3

SPE advanced cover 24

0 5 1 1 6 4

SPE advanced module 12

0 5 1 4 4 8

SPE advanced cover 12

1 1 0 5 5 4 6 5

SPE advanced module 6

1 1 0 5 5 4 6 6

SPE advanced cover 6

## Dimensions and weight

	Dimensions (W x H x D)	Weight
SPE module (without tubes)	300 x 50 x 240 mm	5 kg
SPE cover (without tubes)	300 x 280 x 240 mm	6.2 kg

## Material used for basic set-up

Base plate	Aluminum ematal coated
Valves	PEEK
O-rings	Viton
Tubes	FEP

## Material used for advanced set-up

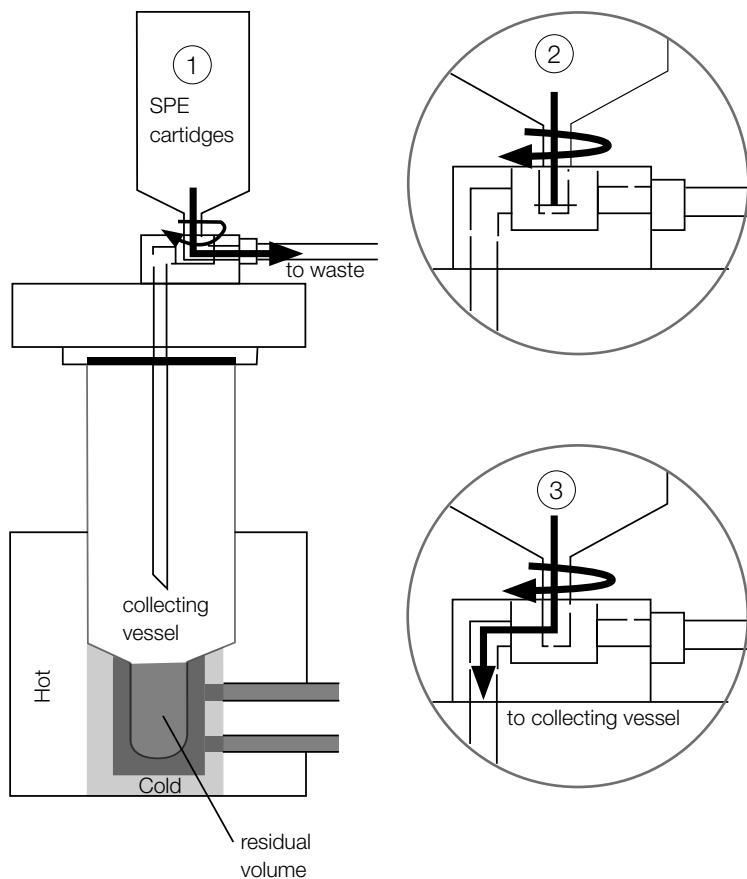
Base plate	Aluminum ematal coated
SPE stop-cock	PTFE and PFA
Fittings	POM
Ferrules	ETFE

Tube	FEP
Waste manifold	POM
Waste vessel	Borosilicate glass 3.3

## Accessories

	Order number
Set of 12 flow-control valves	051453
Set of 12 three-way stop-cocks 051457	051457
Tube cutter	019830
FEP tube (OD 1/8", ID 1/16", L 5 m)	044354
Set of 6 flanged FEP tubes	051459
Set of 4 x 3 FEP waste tubes, length adjusted	051455
Set of 25 tube fittings (1/8", green)	040956
Set of 25 ferrules (1/8", green)	040961

## Functional principle



- ① "Waste" position:  
Cartridge is conditioned, enriched with the analyte, and washed. All liquids are transferred to a waste vessel.
- ② "Stop" position:  
Closure of the cartridge to prevent from running dry or to close the system during evaporation.
- ③ "Elute" position:  
Elution of the analyte into the collection vessel, followed by concentration to a residual volume.