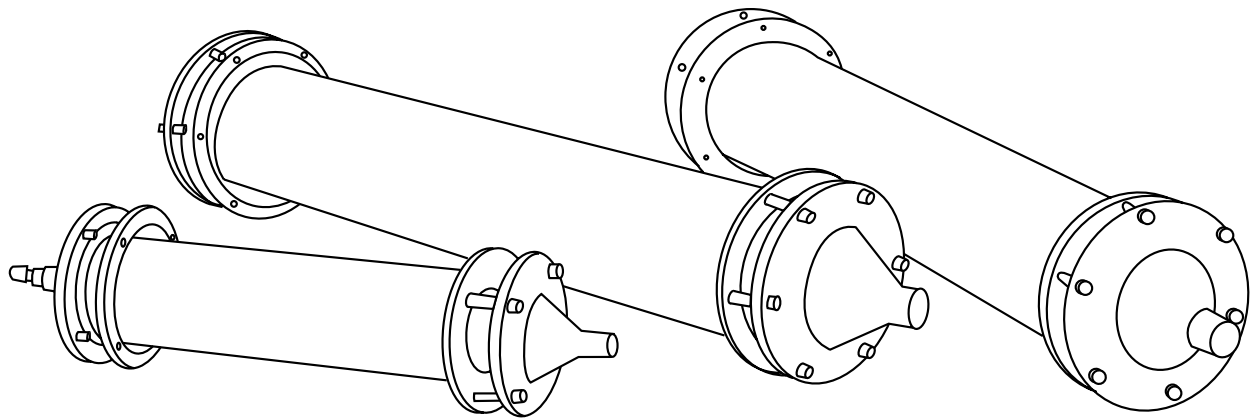




# Glass columns

## Technical data sheet

BUCHI offers a wide range of columns for flexibility in every situation. The columns are designed for sample amounts over 300 g and pressure up to 50 bar (725 psi).



## Scope of delivery, order numbers and sizes

### Glass columns

Inner Diameter (mm)	Column length (mm)				Pressure range (bar / psi)
	100	230	460	920	
ID 15	044030	044031	044032	044033	0 – 50 / 725
ID 26	044035	044036	044037	044038	0 – 40 / 580
ID 36	-	044040	044041	044042	0 – 30 / 435
ID 49	-	044044	044045	044046	0 – 20 / 290
ID 70	-	044048	044049	044050	0 – 15 / 218
ID 100	-	044052	044053	044054	0 – 10 / 145

### Plunger Columns

Inner Diameter (mm)	Column length (mm)		Pressure range (bar / psi)
	460		
ID 26	044062		0 – 20 / 290
ID 36	044063		0 – 16 / 232
ID 49	044064		0 – 10 / 145

### Glass column capacity (g) (estimation for silica 40 – 64 µm)

Inner Diameter (mm)	Column length (mm)			
	100	230	460	920
ID 15	9	20	40	80
ID 26	25	65	130	260
ID 36	-	115	235	470
ID 49	-	230	460	920
ID 70	-	470	940	1800
ID 100	-	935	1850	3700

## Accessories

	Order number
Dry Filling Set for glass columns with ID 15 – 49 mm	044058
Adapter for the dry filling set to enable filling of glass columns with ID 70 mm or 100 mm	044059
Slurry Filling set for glass columns with ID 15 or 26 mm	044057
Slurry Filling set for glass columns with ID 36 or 49 mm	044060
Sample chamber 100 mL	044853
250 mL glass for sample chamber	054854
500 mL glass for sample chamber	054859
1000 mL glass for sample chamber	054864
Precolumn small (for glass column with ID 15, 26, 36 and 49 mm)	044026
Precolumn large (for glass column with ID 70 and 100 mm)	044028
Manual multiple column valve set	054289
Pivoting Clamp for glass columns ID 15 mm	044857
Pivoting Clamp for glass columns ID 26 mm	044858
Pivoting Clamp for glass columns ID 36 mm	044859
Pivoting Clamp for glass columns ID 49 mm	044860
Pivoting Clamp for glass columns ID 70 mm	044861
Pivoting Clamp for glass columns ID 100 mm	044862
Pivoting Clamp for plunger columns ID 26 mm	044017
Pivoting Clamp for plunger columns ID 36 mm	044018
Pivoting Clamp for plunger columns ID 49 mm	044019
Cross sleeve	027344
Injection valve	044850
Single 4-way injection / purge device	054288
Single 6-way injection unit	054284
Sample loop 5 mL	045222
Sample loop 20 mL	044852