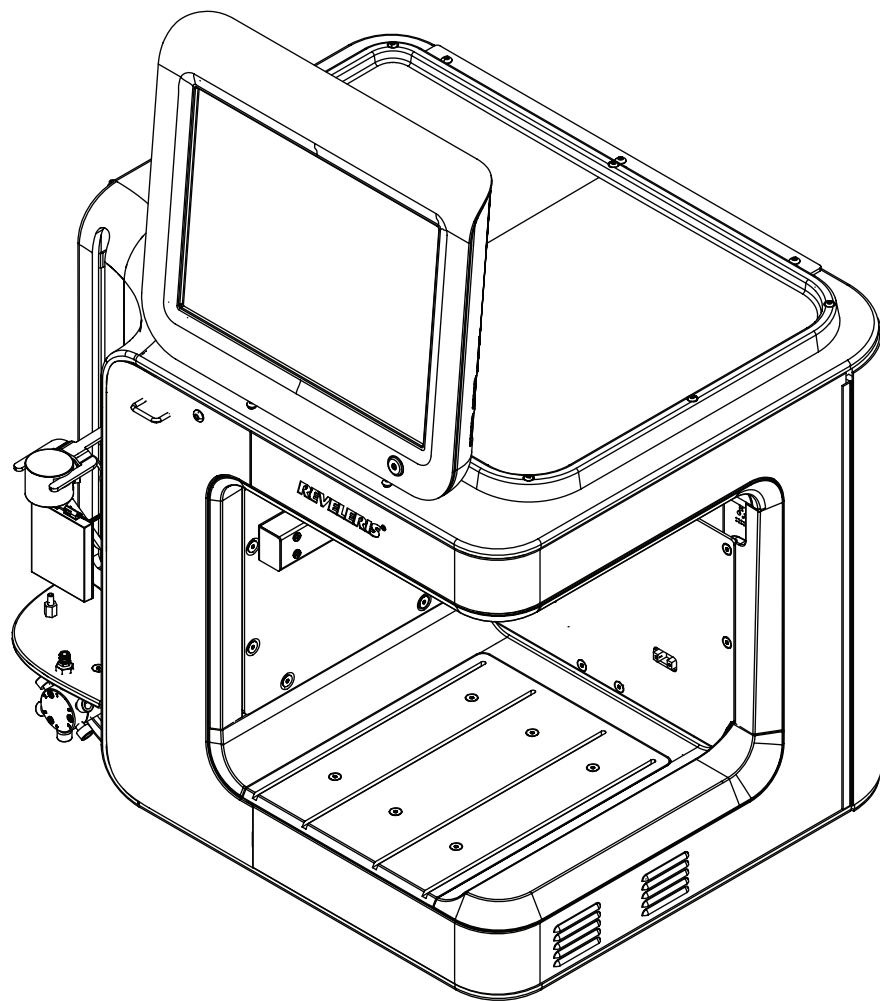




Reveleris® X2-UV Flash System

Technical data sheet

The Reveleris® X2-UV enables fast operation and easy programming of methods. Tray and cartridges are automatically recognized and reduces setup-time and the risk of potential errors.



Scope of delivery

All configurations are supplied ready to use.

Component	Specifications supplied
Reveleris® X2-UV Flash System	1
Flash Solvent Tubing Assembly	1
Flash Waste Tubing Assembly	1
Sample Bypass, 1 pc.	1
Column Bypass, 1 pc.	1
Flash Touch-Screen Stylus, 1 pc.	1
Adjustable Solid Loader Plunger 3 gram, 1 pc.	1
Filled Solid Loader 3 gram, 1 pc.	1
1/8" Antistatic Tubing 6 ft	1
Corrugated Tubing Assembly 20 ft	1
Fraction Collector Tray Assembly, 2 pcs.	1
Flash Solvent 38-430 Bottle Caps, 5 pcs.	1
Flash Solvent GL-45 Bottle Caps, 5 pcs.	1
Power Cord, 1 pc.	1
Flangeless Fitting for 1/8" Tubing, 5 pcs.	1
1/8" Flangeless Ferrule and SS ring, 5 pcs.	1
Flangeless Fitting for 3/16" Solvent Tubing, 4 pcs	1
3/16" Flangeless Ferrule, 4 pcs.	1
Fitting Tool, 1 pc.	1
5 A Fuse, 1 pc.	2
10 A Fuse, 1 pc .	2
1/8" PTFE Tubing 10 ft	1

Order Code

1 4 0 0 0 0 0 1 4

Reveleris® X2-UV

Technical data

Reveleris® X2-UV Flash System

	Reveleris® X2-UV Flash System
Dimension (W x D x H)	21.5" x 20.5" x 16.75" 546 x 521 x 425 mm
Weight	60 lbs 27 kg
Power supply	110 / 240 VAC
Frequency	50 / 60 Hz
Fuse	5 A / 10 A
Display	Windows®-Based Graphical LCD touchscreen
Data entry	On-screen QWERTY keyboard USB connection to mouse/keyboard
Pump	High pressure HPLC pump
Pump flow rate	1 - 200 mL/min
Pump accuracy	± 3 %
Pump precision (in the range 4-200 mL/min)	± 0.5 %
Maximum pressure	200 psi 14 bar
Sample injection	Liquid / solid
Maximum weight solid injection	up to 75 g
Solid load plunger	15 mL 75 mL 150 mL
UV wavelength range (standard)	200 - 500 nm
UV wavelength range (option)	200 - 850 nm
Flash cartridge size (without adapter)	4 - 330 g luer type
Flash cartridge size (with adapter)	up to 3000 g
Peak detection	UV signal (up to 3) Slope detection Threshold detection
Gradients	Linear Step Isocratic
Fraction collection	Two racks Automatic recognition
Solvent delivery system	4 Independent channels

Accessories

Fraction Collection Racks

	Order no.
Fraction Collection Racks for 12 x 75 mm tubes 2 pcs.	145148872
Fraction Collection Racks for 13 x 100 mm tubes 2 pcs.	145148874
Fraction Collection Racks for 16 x 150 mm tubes 2 pcs.	145148875
Fraction Collection Racks for 18 x 150 mm tubes 2 pcs.	145148885
Fraction Collection Racks for 25 x 150 mm tubes 2 pcs.	145148886
Rack for 480 mL Square Bottles 1 pc.	145148873

Fraction Tubes

	Order no.
Fraction Tubes 12 x 75 mm 1000 pcs.	148623413
Fraction Tubes 13 x 100 mm 1000 pcs.	148623414
Fraction Tubes 16 x 150 mm 1000 pcs.	148623416
Fraction Tubes 18 x 150 mm 500 pcs.	148623410
Fraction Tubes 25 x 150 mm 500 pcs.	148623411
480 mL Square Bottles 24 pcs.	148623412

Empty Solid Loaders

	Order no.
Empty tube / frits 3 g 100 pcs.	145142050
Empty tube / frits 15 g 100 pcs.	145142051
Empty tube / frits 40 g 50 pcs.	145147808

Filled Solid Loaders

	Order no.
Silica filled tube / frits 3 g 20 pcs.	145152371
Silica filled tube / frits 15 g 16 pcs.	145142034
Silica filled tube / frits 40 g 12 pcs.	145147772

Adjustable Solid Loader Plungers

	Order no.
Adjustable Plunger / Sleeve 3 g 1 pc.	145167302
Adjustable Plunger / Sleeve 15 g 1 pc.	145168541
Adjustable Plunger / Sleeve 40 g 1 pc.	145168534
Frit Insertion Rod 3 g 1 pc.	145162931
Frit Insertion Rod 15 g 1 pc.	145162902
Frit Insertion Rod 40 g 1 pc.	145162901

Software options

	Order no.
Reveleris® UV-Vis upgrade	145167301
Reveleris® ELSD Software upgrade	140000012