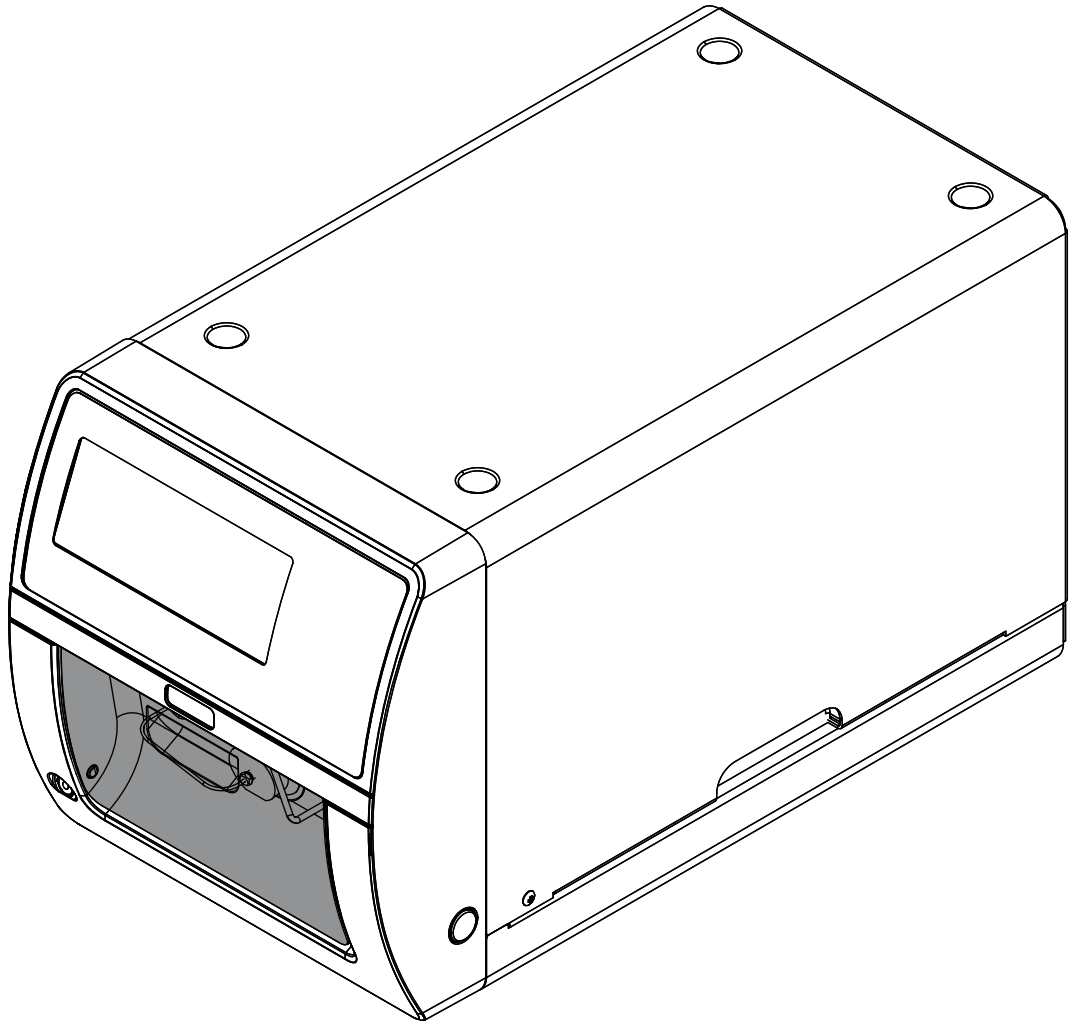




Alltech® Model ELSD 3300HP

Technical data sheet

We offer most expertised designing and manufacturing ELSDs. Alltech® ELSDs simplify analysis of difficult compounds such as pharmaceuticals, impurities, fatty acids and polymer and more.



Order Code

1 4 0 0 0 0 1 8 8

Alltech® ELSD 3300HP

Scope of delivery

All configurations are supplied ready to use.

| Component | Alltech® Model ELSD 3300HP |
|--|-------------------------------|
| Model ELSD 3300HP | 1 |
| Model ELSD 3300HP Operating Manual | 1 |
| Power Cord | 1 |
| Signal Cable | 1 |
| PEEK Tubing: 1/16" o.d. x .005" i.d., 10' | 1 |
| One-Piece Fittings, 10/pk | 1 |
| Gas Tubing, 10' | 1 |
| Gas Fittings: 1/8" Brass Nut and Ferrule | 1 |
| Drain Tubing, 5' (Reservoir not included) (2 pieces) | 1 |
| Drain Tubing Clamp (2 pieces) | 1 |
| Exhaust Adapter / Exhaust Tubing, 20' | 1 |
| 14-Pin Connector | 1 |
| Open-End Wrench, 3/8" x 7/16" | 1 |
| Open-End Wrench, 1/4" x 5/16" | 1 |
| Hex Ball Driver, 3/32" x 5 1/4" | 1 |
| Hex Ball Driver, 7/64" x 4" | 1 |
| Fuse, 5 Amp | 1 |
| 10-Position Terminal Strip | 1 |

Technical data

Alltech® ELSD 3300HP

| | Alltech® Model ELSD 3300HP |
|---|---|
| Dimension (H x W x D) | 254 x 260 x 483 mm 10.0" x 10.25" x 19.0" |
| Weight | 13.6 kg 30 lbs |
| Frequency | 50/60 Hz |
| Power supply | 110/240 VAC |
| Fuse | 5 A |
| Light Source | Laser diode with collimating optics, 650nm, max output less than 30mW, Class IIIB |
| Detector Element | Silicon photodiode |
| Temperature Range | Ambient to 120°C in 0.1°C increments |
| Nebulizer Gas | Up to 4.0L/min nitrogen preferred 65psig min. pressure 80psig max pressure |
| Mobile Phase Flow Rate | 50 µL - 3.0 mL/min |
| Analog Outputs | Selectable for either 0-1V or 0-10mV full scale |
| Operating Parameter Selection & Display | Windows®-Based Graphical LCD with alphanumeric keypad |

Ambient conditions

For indoor use only.

| | |
|---------------------|--------------------------|
| Ambient temperature | 5 - 40 °C |
| Humidity | 10 – 90%, Non-Condensing |
| Storage temperature | max. 45 °C |

Spare parts

| | Order no. |
|---------------------------|-----------|
| Signal Cable | 142112995 |
| Drift Tube Cleaning Brush | 142112880 |
| Drain Tubing, 5' | 142112997 |
| Clamp for Drain Tubing | 142112990 |
| Exhaust Tubing, 20' | 143112777 |
| Exhaust Adapter | 142108384 |
| 14 Pin Terminal Block | 142112991 |
| Nebulizer | 142113967 |
| Nebulizer Wear Band | 142113968 |
| Front Service Door | 142113956 |